

Introduction

APEx
ALMA
LLAMA

Software

ACS
CORBA -
Overview
ALMA Software...
counts!!
ALMA Control
Software
LLAMA Control
Software

A ALMA do LLAMA, seu software de controle

Danilo Cezar Zanella

Instituto de Astronomia, Geofísica e Ciências Atmosféricas
Universidade de São Paulo

Encontro SPANet de Instrumentação 2019
25 de Outubro de 2019



Introduction

APE_x
ALMA
LLAMA

Software

ACS
CORBA -
Overview
ALMA Software...
counts!!
ALMA Control
Software
LLAMA Control
Software

1 Introduction

APE_x
ALMA
LLAMA

2 Software

ACS
CORBA - Overview
ALMA Software... counts!!
ALMA Control Software
LLAMA Control Software

Introduction

APE_x
ALMA
LLAMA

Software

ACS
CORBA -
Overview
ALMA Software...
counts!!
ALMA Control
Software
LLAMA Control
Software

1 Introduction

APE_x
ALMA
LLAMA

2 Software

ACS
CORBA - Overview
ALMA Software... counts!!
ALMA Control Software
LLAMA Control Software

Introduction

APEX
ALMA
LLAMA

Software

ACS
CORBA -
Overview
ALMA Software...
counts!!
ALMA Control
Software
LLAMA Control
Software



Figure: Credit:ESO

https://cdn.eso.org/images/screen/apex_close1.jpg e
[apex-mar2009-1680.jpg](https://cdn.eso.org/images/screen/apex-mar2009-1680.jpg)

ALMA - Atacama Large Millimeter Array

Introduction

APEx
ALMA
LLAMA

Software

ACS
CORBA -
Overview
ALMA Software...
counts!
ALMA Control
Software
LLAMA Control
Software

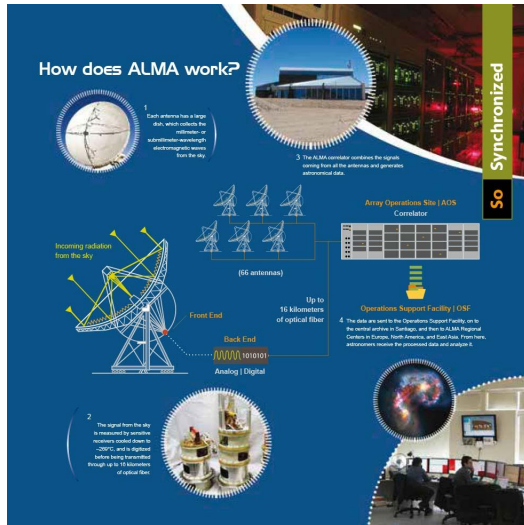


Figure: Credit:ALMA

<https://www.almaobservatory.org/wp-content/uploads/2016/05/How-does-ALMA-works.jpg>

LLAMA - Large Latin American Millimeter Array

Introduction

APEx
ALMA
LLAMA

Software

ACS
CORBA -
Overview
ALMA Software...
counts!!
ALMA Control
Software
LLAMA Control
Software

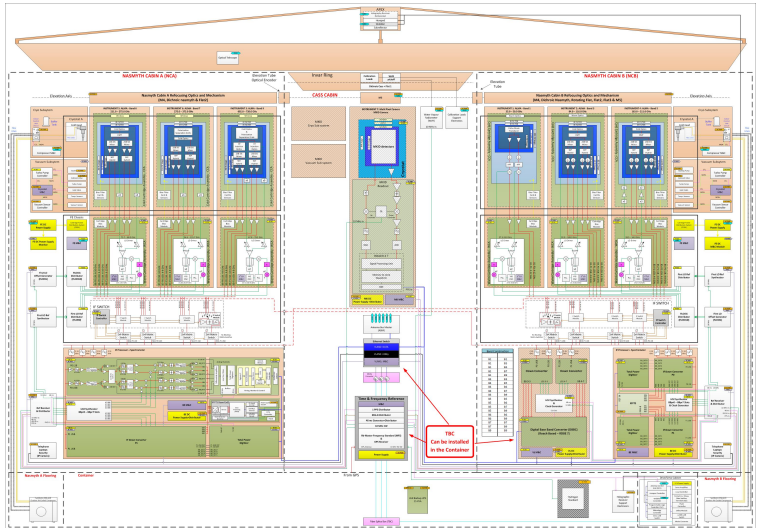


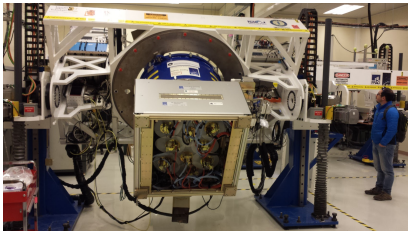
Figure: LLAMA - Block diagram of antenna

Introduction

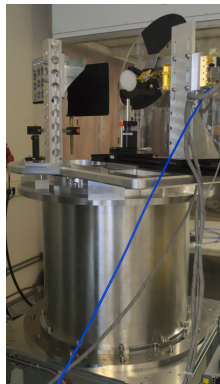
APE_x
ALMA
LLAMA

Software

ACS
CORBA -
Overview
ALMA Software...
counts!!
ALMA Control
Software
LLAMA Control
Software



(a) Photo of ALMA cryostat, with 10 receivers, doing tests in Operating Site Facility (OSF), San Pedro de Atacama, Chile - 2017



(b) Photo of LLAMA cryostat, doing tests in band 5 receiver (163-211 GHz), in Kapteyn Instituut, Groningen, Netherlands - 2017

Introduction

APE_x
ALMA
LLAMA

Software

ACS
CORBA -
Overview
ALMA Software...
counts!!
ALMA Control
Software
LLAMA Control
Software

1 Introduction

APE_x
ALMA
LLAMA

2 Software

ACS
CORBA - Overview
ALMA Software... counts!!
ALMA Control Software
LLAMA Control Software

Introduction

APEx
ALMA
LLAMA

Software

ACS
CORBA -
Overview
ALMA Software...
counts!!
ALMA Control
Software
LLAMA Control
Software

The ALMA Common Software (ACS) is located in between the ALMA application software (Applications) and other basic commercial or shared software on top of the operating systems. In particular, ACS is based on CORBA (CORBA Middleware), which provides the whole infrastructure for the exchange of messages between distributed objects.¹

¹Fonte: ALMA Common Software Architecture - 2009

Introduction

APEx
ALMA
LLAMA

Software

ACS

CORBA -
Overview
ALMA Software...
counts!!
ALMA Control
Software
LLAMA Control
Software

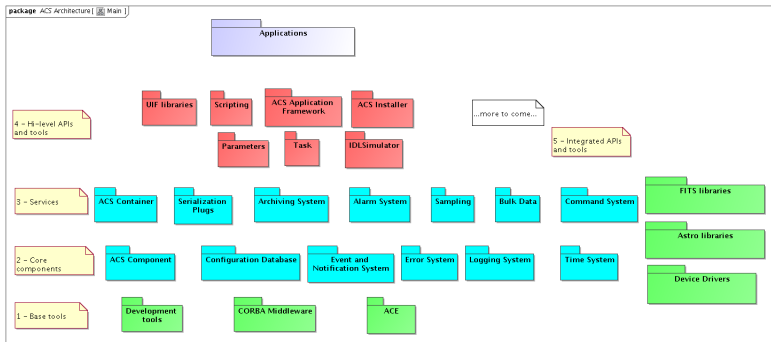


Figure: UML diagram of ACS packages.

Fonte: ALMA Common Software Architecture - 2009

Introduction

APEx
ALMA
LLAMA

Software

ACS
CORBA -
Overview
ALMA Software...
counts!!
ALMA Control
Software
LLAMA Control
Software

The reasons for using CORBA are in short: Object Orientation, support for distributed systems, platform independence, it is a communication standard, it provides a variety of services. ²

²Source: ALMA Common Software Architecture - 2009

ACS - CORBA Container-Component Model (CCM)

Introduction

APEx
ALMA
LLAMA

Software

ACS
CORBA -
Overview
ALMA Software...
counts!!
ALMA Control
Software
LLAMA Control
Software

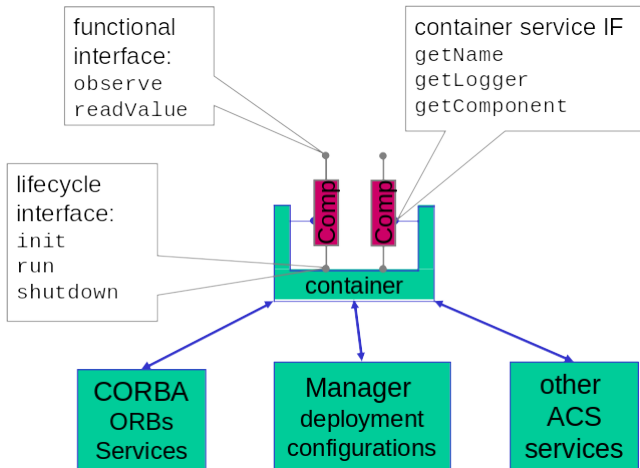


Figure: Container-Component diagram. Source: 6st ACS Workshop UTFSM - Nov. 2009

Introduction

APEx
ALMA
LLAMA

Software

ACS
CORBA -
Overview
ALMA Software...
counts!!
ALMA Control
Software
LLAMA Control
Software

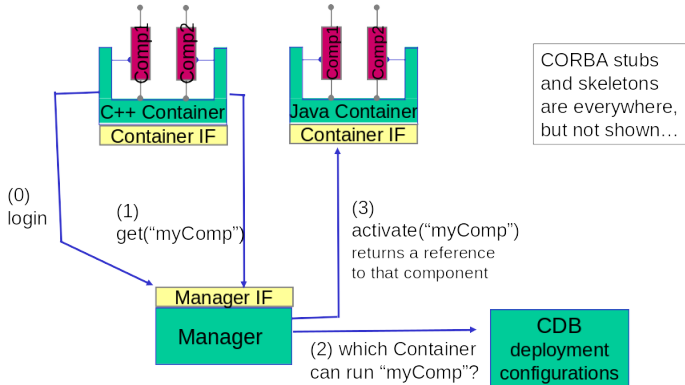


Figure: Interactions diagram, component activation and retrieval. Source: 6st ACS Workshop UTFSM - Nov. 2009

Introduction

APEx
ALMA
LLAMA

Software

ACS
CORBA -
Overview
ALMA Software...
counts!!
ALMA Control
Software
LLAMA Control
Software

Table: ALMA source code statistics.

Language	Files	Lines of code
XML	4433	3.58M
Source C++	5267	1.67M
JAVA	11423	1.25M
Python	2833	522K
Header C/C++	4770	366K
Source C	247	82K
Makefiles	1158	74K
IDL	396	42K
Totals	31047	7.65M

ALMA - Physical Architecture

Introduction

APEx
ALMA
LLAMA

Software

ACS
CORBA -
Overview
ALMA Software...
counts!!
ALMA Control
Software
LLAMA Control
Software

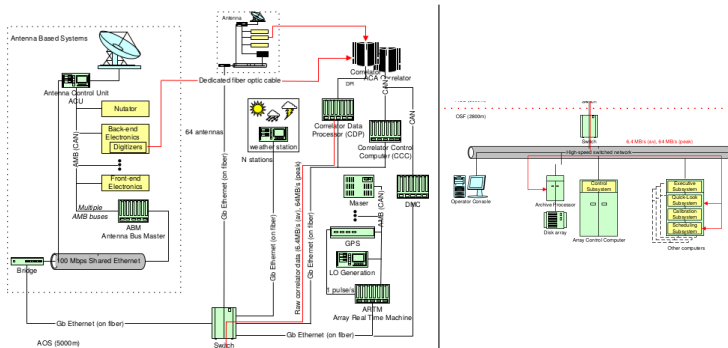


Figure: ALMA Physical Architecture. Source: ALMA Control Design - Nov. 2009

Introduction

APEx
ALMA
LLAMA

Software

ACS
CORBA -
Overview
ALMA Software...
counts!!
ALMA Control
Software
LLAMA Control
Software

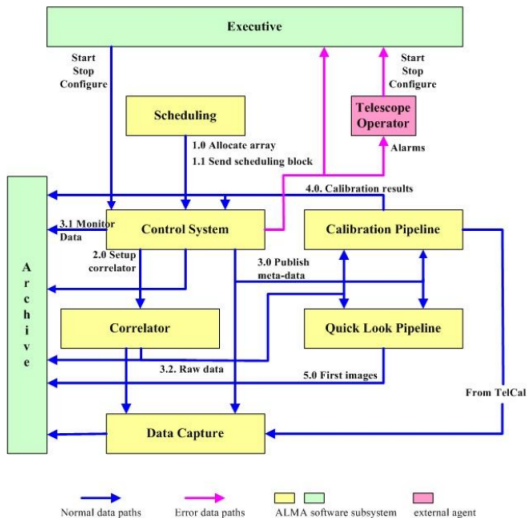


Figure: ALMA Software System from Control's perspective. Source: ALMA Control Design - Nov. 2009

Antenna hierarchy

Introduction

APEx
ALMA
LLAMA

Software

ACS
CORBA -
Overview
ALMA Software...
counts!!
ALMA Control
Software
LLAMA Control
Software

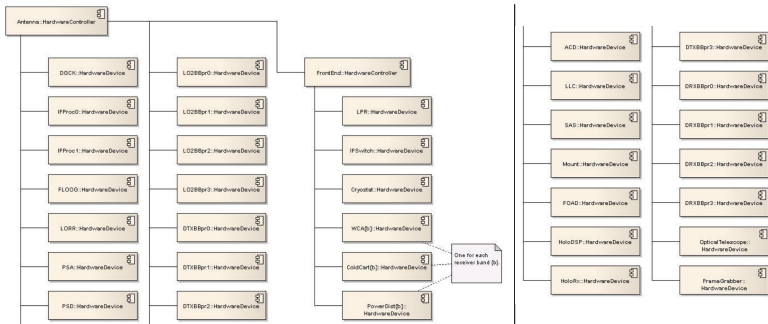


Figure: Antenna module hierarchy. Source: ALMA Control Design - Nov. 2009

LLAMA - Software System

Introduction

APEx
ALMA
LLAMA

Software

ACS
CORBA -
Overview
ALMA Software...
counts!!
ALMA Control
Software
LLAMA Control
Software

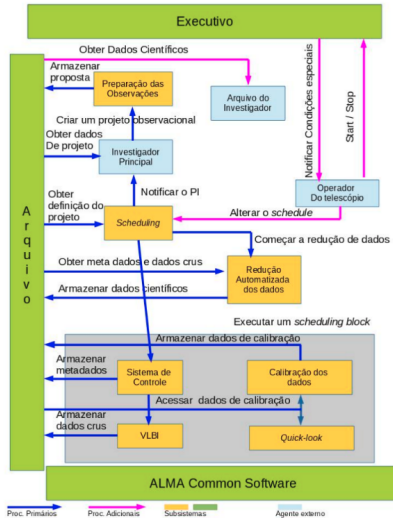


Figure: LLAMA Software System from Control's perspective. Source: G. Gimenez de Castro - Aug. 2016

Introduction

APE_x
ALMA
LLAMA

Software

ACS
CORBA -
Overview
ALMA Software...
counts!
ALMA Control
Software
LLAMA Control
Software

Thanks!